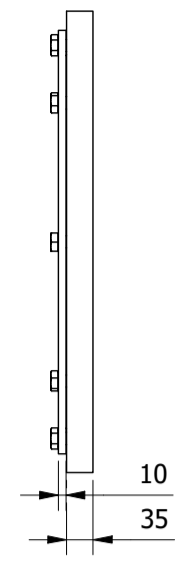
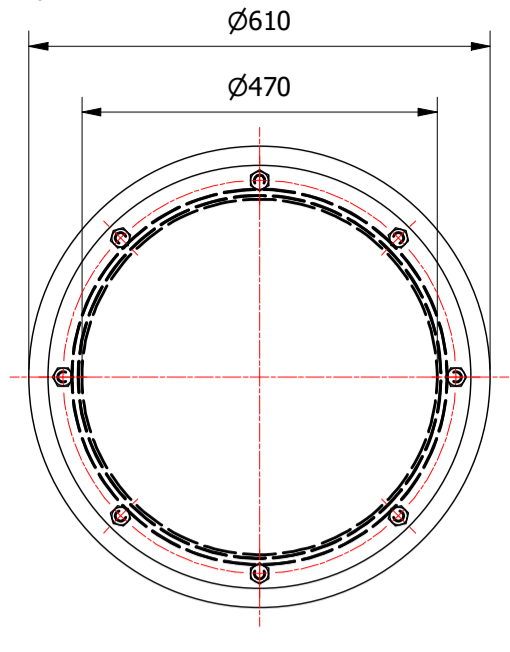
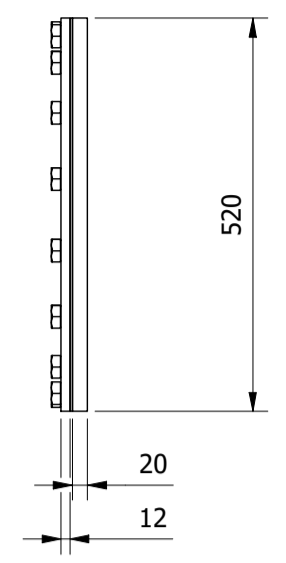
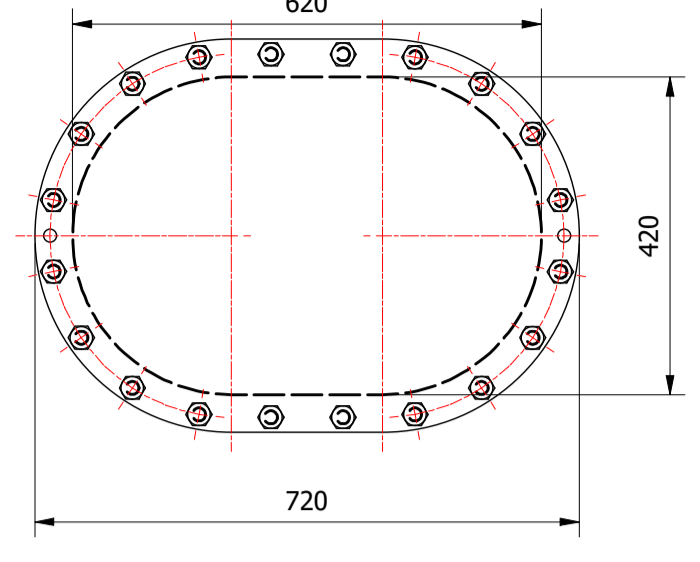


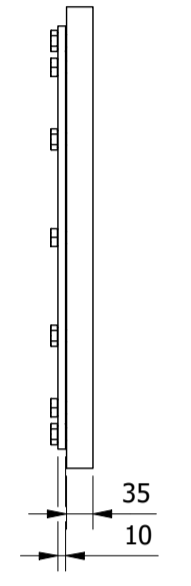
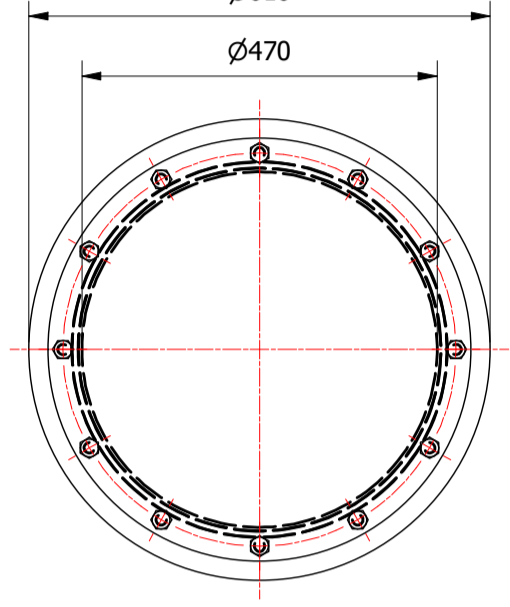
Round Type A , 8 Bolts



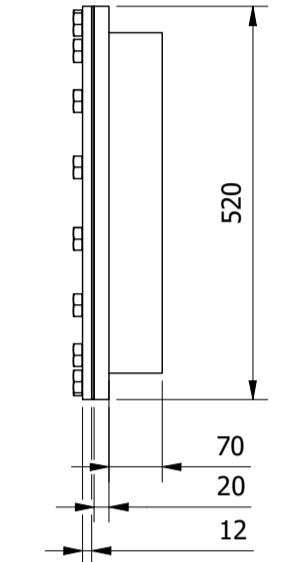
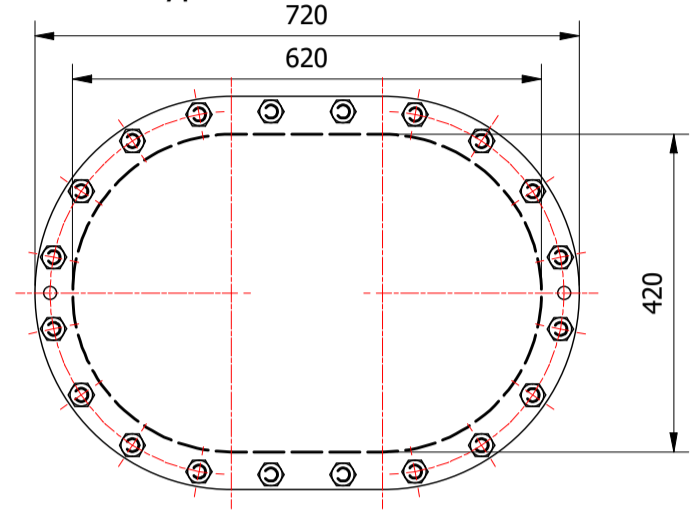
Type A Oval 600x400



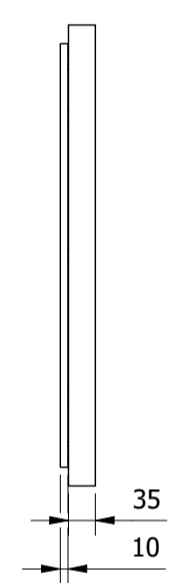
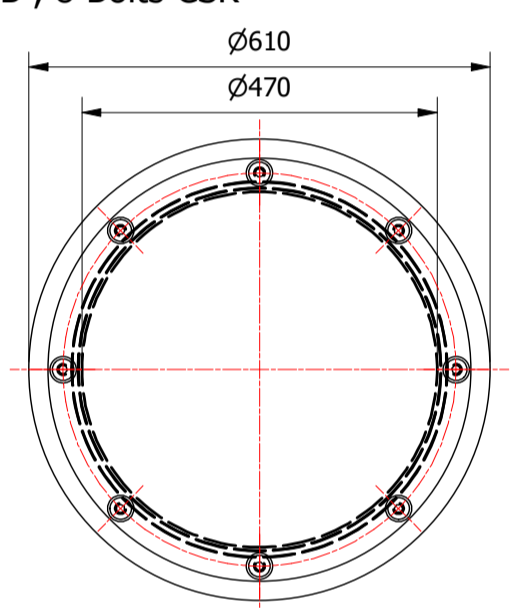
Round Type A , 12 Bolts



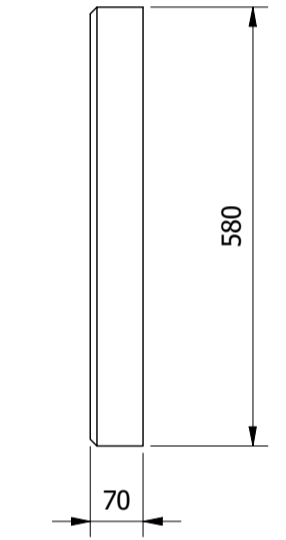
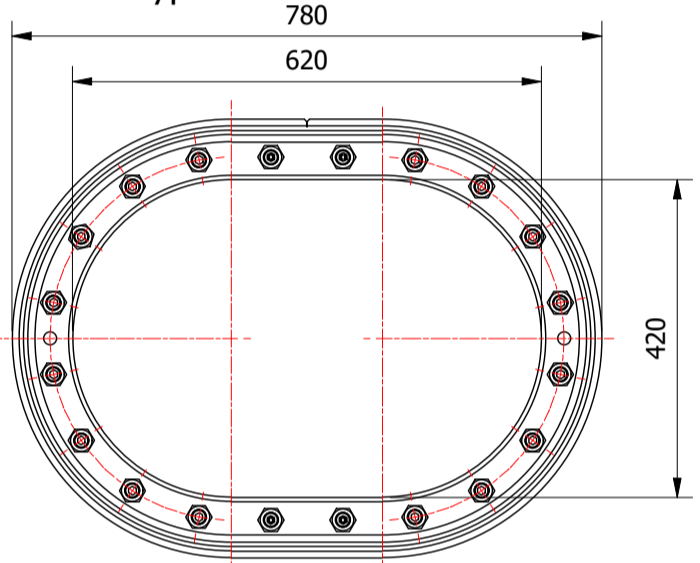
TypeB Oval 600x400



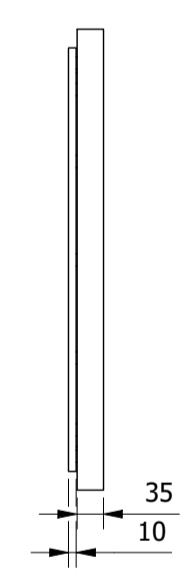
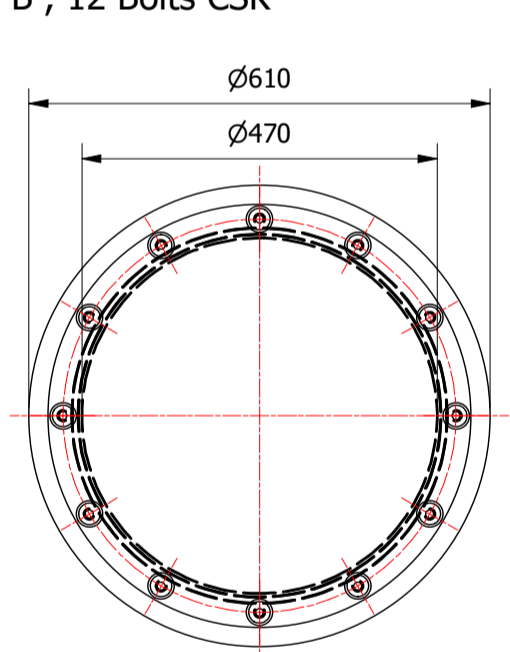
Round Type B , 8 Bolts CSK



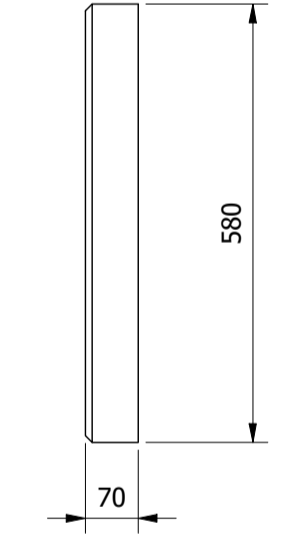
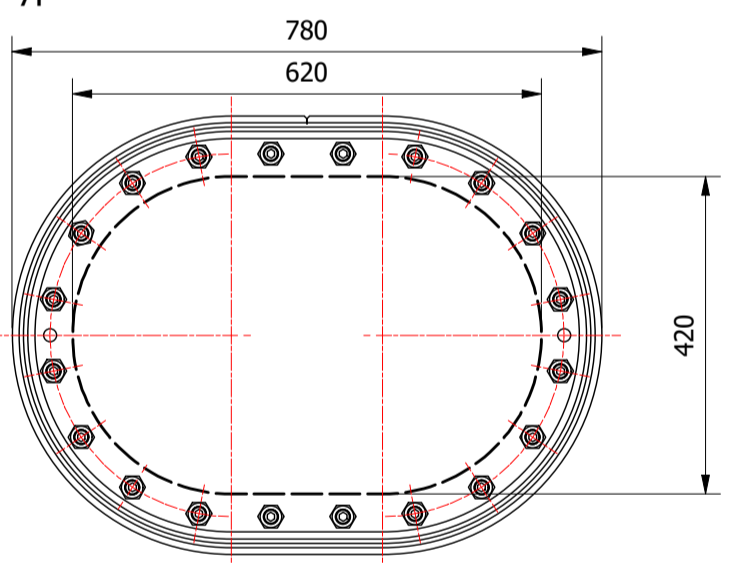
Type C Oval 620x420



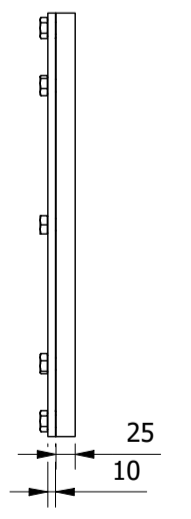
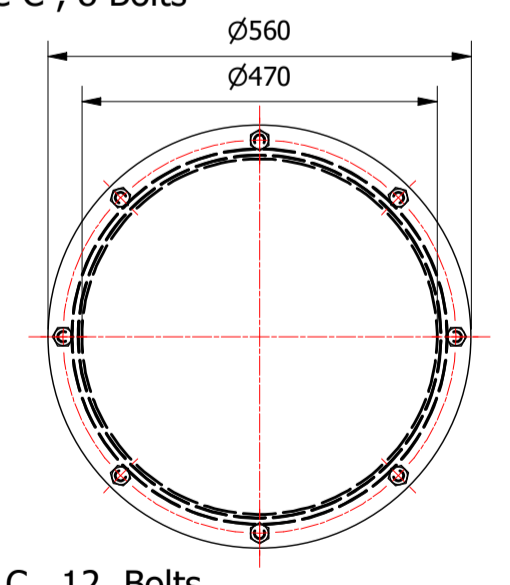
Round Type B , 12 Bolts CSK



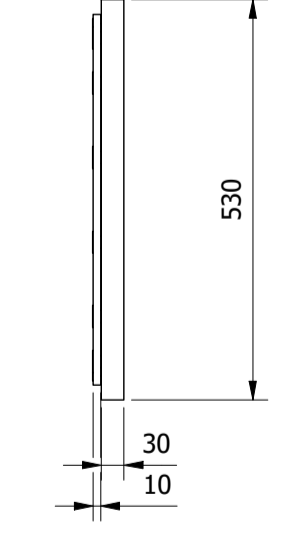
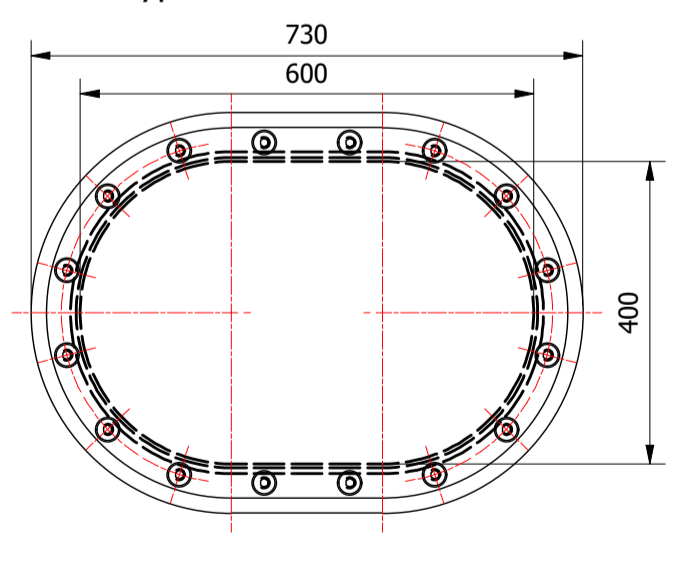
Type D Oval 620x420



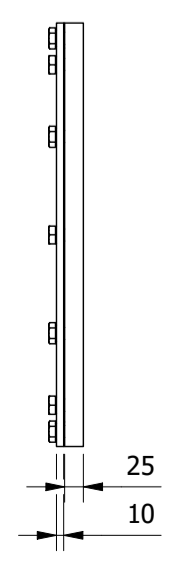
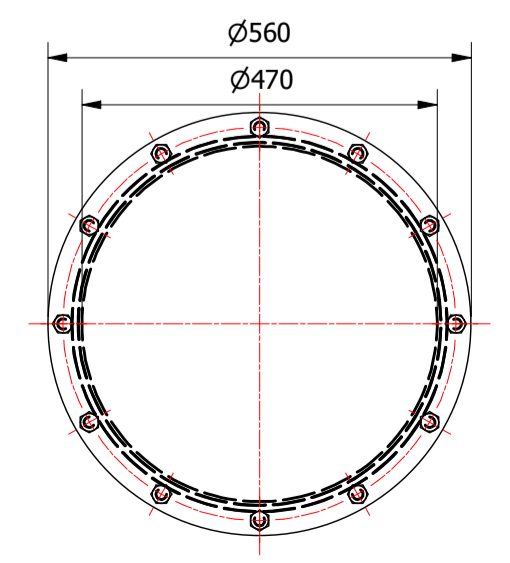
Round Type C , 8 Bolts



Type G Oval 600x400



Round Type C , 12 Bolts



Revision Description		RM	27-6-2023	-
		Name	Date	Rev
Weight: 52,711 kg		Status:	WorkInProgress	
		Engineer:	RM	27-6-2023
American projection:	Description: Manhole overview			
Reference: Winel Product Catalog				Rev. Sheet Size
Drawing number: 9142 XXXX				- 1 / 1 A2
 info@winel.nl www.winel.nl +31 (0)592 366 060		Dr. A.F. Philipsweg 55 9403 AD Assen The Netherlands		
The drawing and design shown is our property and may not be used or disclosed for any third person without our specific written approval.				